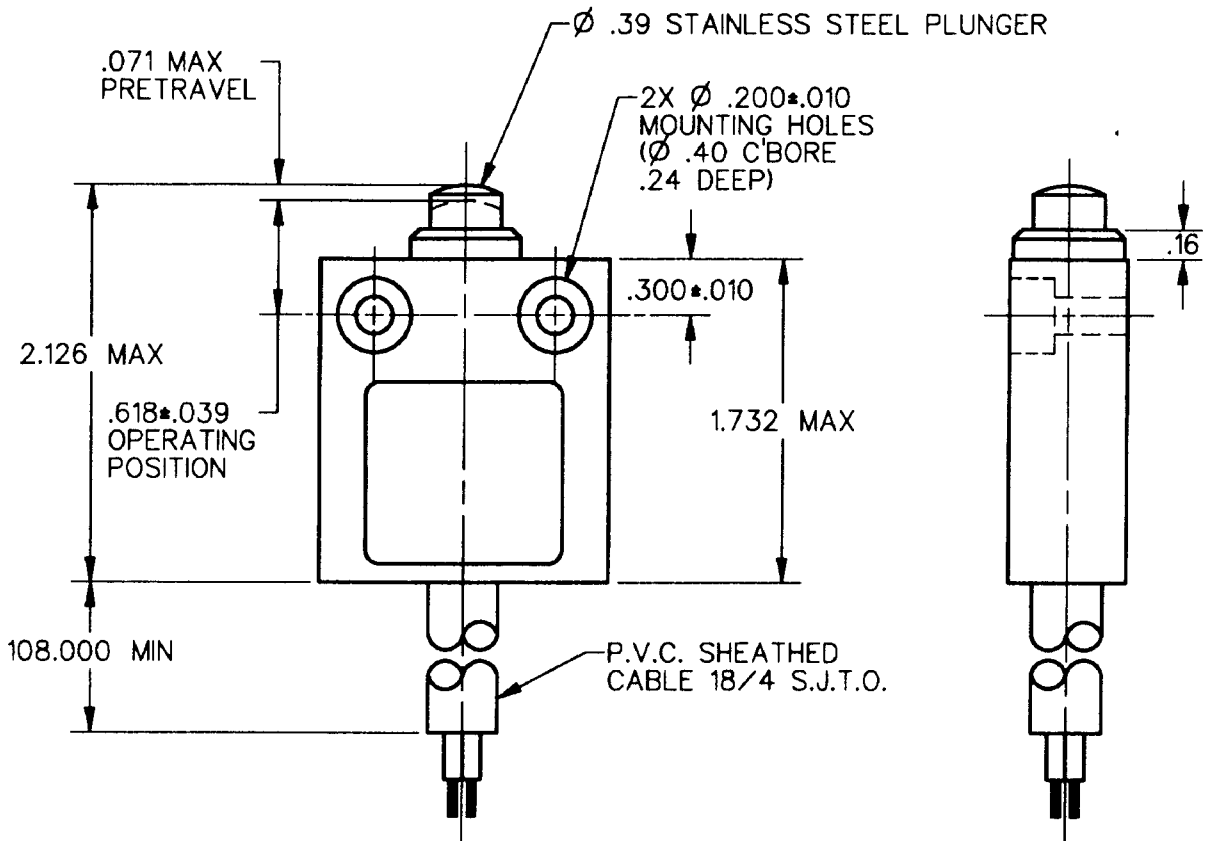
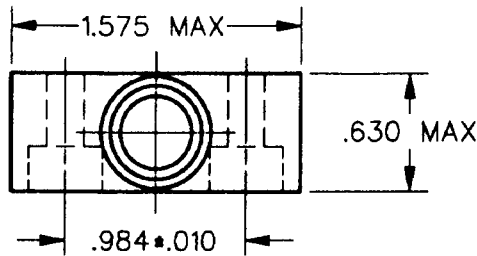
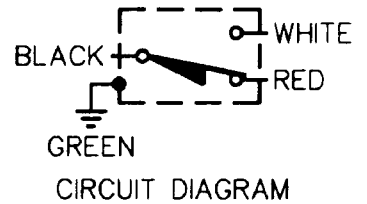


MICRO SWITCH
a Honeywell Division
FED. MFG. CODE 91929

MINIATURE PRECISION
LIMIT SWITCH

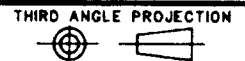
CATALOG LISTING
914CE1-9



NOTES
1 - ZINC HOUSING FINISHED WITH GRAY PAINT

ANSI Y14.5M-1982 APPLIES

THIS DRAWING COVERS A PROPRIETARY ITEM AND IS THE PROPERTY OF MICRO SWITCH, A DIVISION OF HONEYWELL. THIS DRAWING IS NOT TO BE COPIED OR USED WITHOUT THE APPROVAL OF MICRO SWITCH.



| CHARACTERISTICS | |
|---------------------|------------------|
| OPERATING FORCE | — — — 2.7 LB MAX |
| RELEASE FORCE | — — — 1.0 LB MAX |
| DIFFERENTIAL TRAVEL | — — — .004 MAX |
| OVERTRAVEL | — — — .118 MIN |

| ELECTRICAL DATA | |
|---|--|
| CONTACT ARRANGEMENT S P D T | |
| 5A - 250 VAC 1/10HP - 125 OR 250 VAC | |

| SCALE FULL | DO NOT SCALE PRINT |
|--|--------------------|
| UNLESS OTHERWISE SPECIFIED TOLERANCES ARE | |
| ONE PLACE (.0) | ±.030 |
| TWO PLACE (.00) | ±.015 |
| THREE PLACE (.000) | ±.005 |
| ANGLES | ± |



WEIGHT

914CE1-9
 M
 DRAWING NUMBER
 5
 ISSUE
 REVISIONS
 A CO-69081
 S A V
 29 AUG 91
 CHECK
 13 NOV 91
 CHECK
 29 AUG 91
 DDM/CAD
 DRAWN